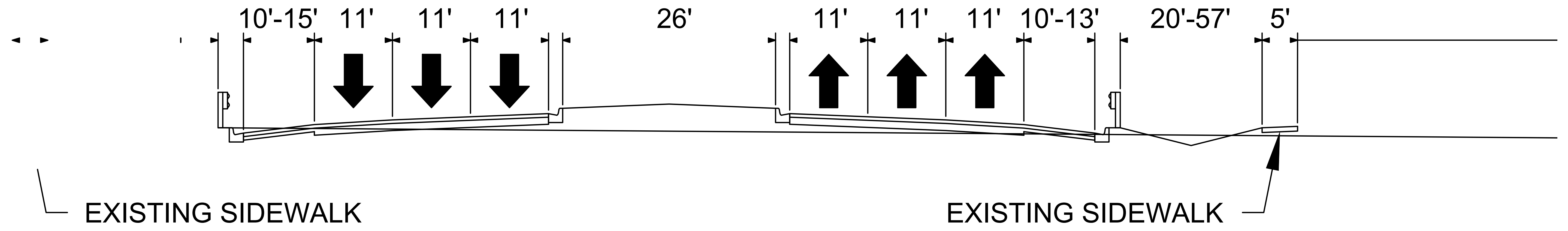




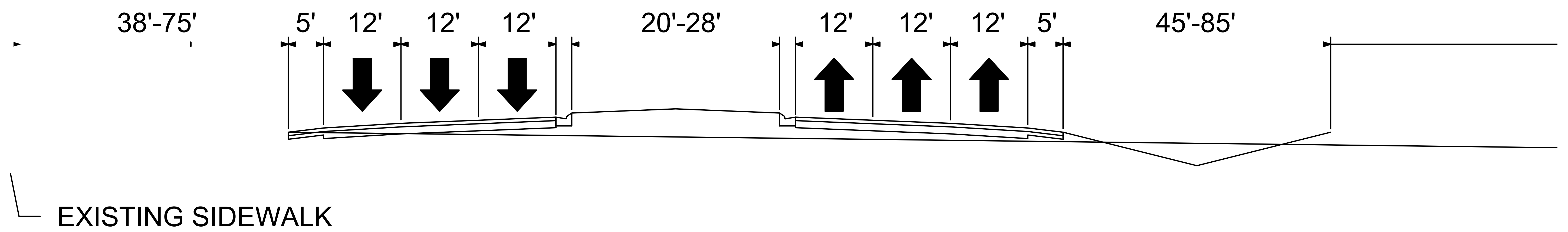
# EAST LAKE ROAD CORRIDOR STUDY

## EXISTING ROADWAY

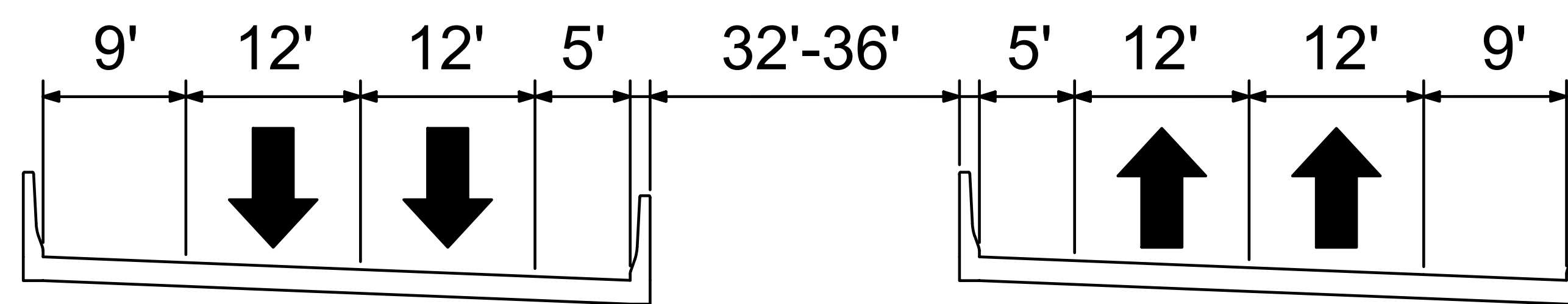
### SOUTH OF CURLEW ROAD



### CURLEW ROAD TO SOUTH SPLIT



### SOUTH SPLIT TO NORTH SPLIT



### NORTH SPLIT TO GOVE DRIVE/BACKWATER TRAIL

